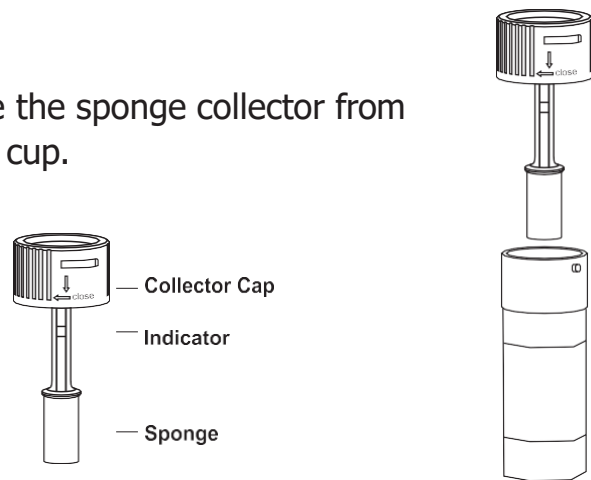


## STEP BY STEP INSTRUCTIONS

Donors should avoid placing anything (including food, drink, gum and tobacco products) in their mouth for at least 10 minutes prior to specimen collection. The oral fluid specimen should be collected using the collector provided with the kit. No other collection devices should be used with this drug test.

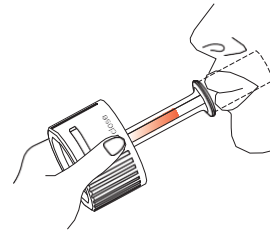
### STEP 1

Remove the sponge collector from the test cup.



### STEP 2

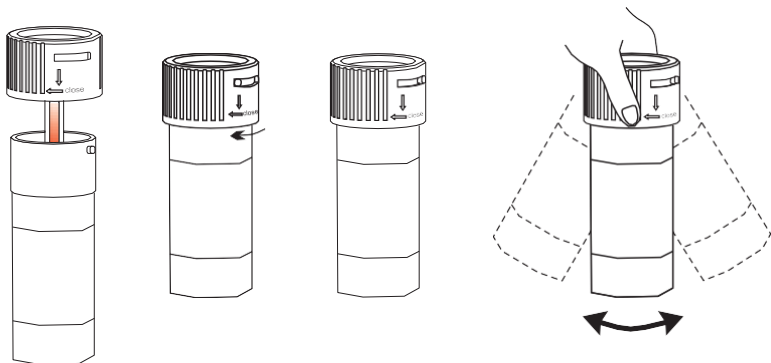
Insert the sponge end of the collector into the mouth. Actively swab the inside of the mouth and tongue to collect oral fluid for 3 minutes until the saturation indicator turns pink.



**DO NOT** bite, suck or chew on the sponge.

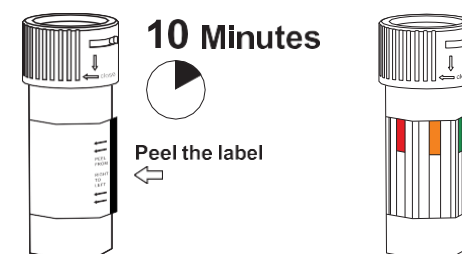
### STEP 3

Return the sponge collector into the test cup. Press the sponge collector downwards and seal the test by screwing it tightly. Shake 3 times and start the timer.

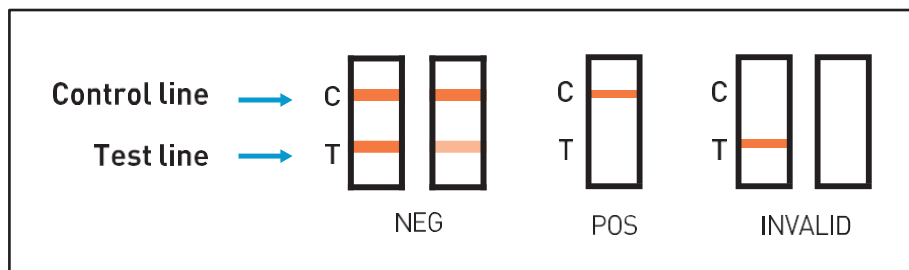


### STEP 4

Peel off the label to view results. Read saliva alcohol pads at 3 minutes. Read the results at 10 minutes. Do not read after 20 minutes.



## HOW TO READ RESULTS



### Negative

A colour band is visible in the control line and test line. It indicates that the concentration of corresponding drug of that specific test zone is zero or below the test's detection limit.

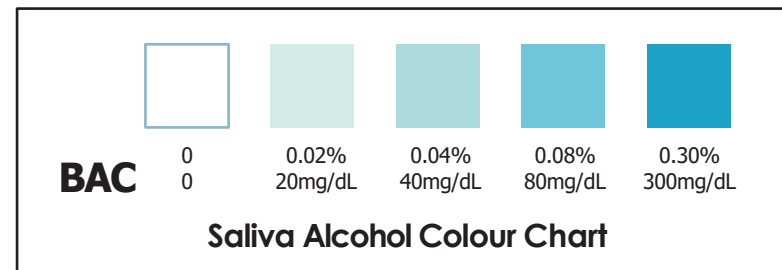
### Positive

A colour band is visible in the control line. No colour band appears in the test line. It indicates a positive result for the corresponding drug of that specific test zone.

### Invalid

A colour band is not visible in the control line. Another test should be done to re-evaluate the specimen. If the test is still invalid, please contact the distributor or manufacturer with the lot number.

Note: There is no meaning attributed to line colour intensity or width.



### Alcohol Test Results

#### Negative

Alcohol Strip (Saliva) shows no colour change. It means alcohol is not detected.

#### Positive

Alcohol Strip (Saliva) produces a colour change based on the presence of saliva alcohol. The colour ranges from light blue colour (0.02% or 20mg/dL) to dark blue (0.30%).

Note: Alcohol Strip (Saliva) is very sensitive to the presence of alcohol. A blue colour that is lighter than the 0.02% colour shown in the chart should be interpreted as positive but less than 0.02%(20mg/dL).

#### Invalid

If the Alcohol Strip has a blue colour before applying a saliva sample, do not use the test.

Please refer to the Alcohol Colour Chart above for interpretation.